

**BEFORE RETURNING THIS PRODUCT TO THE STORE** for any reason, please call ARRIS Technical Support for assistance: **1-877-466-8646**. Please visit [www.arris.com/selfhelp](http://www.arris.com/selfhelp) for frequently asked questions (FAQs), product manuals, Live Chat, and Software License and Warranty information.



Place the Product specific  
label here



© 2022 CommScope, Inc. All rights reserved. ARRIS and the ARRIS Logo are trademarks of CommScope, Inc. and/or its affiliates. All other trademarks are the property of their respective owners. No part of this content may be reproduced in any form or by any means or used to make any derivative work (such as translation, transformation, or adaptation) without written permission from CommScope, Inc. and/or its affiliates ("CommScope"). CommScope reserves the right to revise or change this content from time to time without obligation on the part of CommScope to provide notification of such revision or change. CommScope provides this content without warranty of any kind, implied or expressed, including, but not limited to, the implied warranties of merchantability and fitness for a particular purpose. CommScope may make improvements or changes in the products or services described in this content at any time. The capabilities, system requirements and/or compatibility with third-party products described herein are subject to change without notice.



ARSVD01821-a

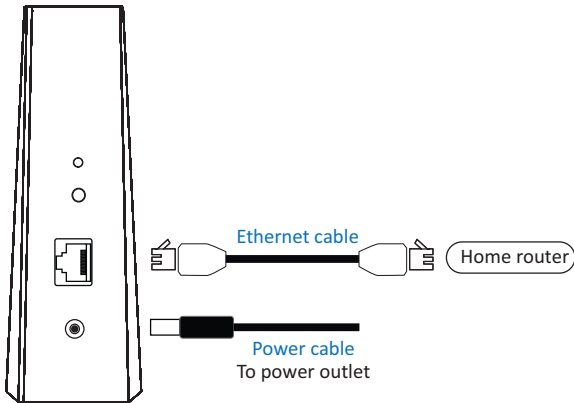
**SURFboard™**  
W6U NETWORK UPGRADE KIT

[www.arris.com/selfhelp](http://www.arris.com/selfhelp)

# 1

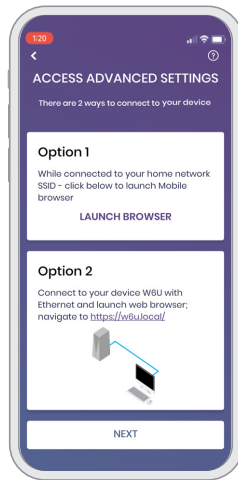
- Connect the **W6U** to your home router using the Ethernet cable provided.
- Connect the **W6U** to a power outlet using the power cable provided.
- Enter the user credentials (refer to the label on this card) on your 6GHz-capable devices to connect to the **W6U**.

**W6U**



# 2

Download and install the **SURFboard Central** mobile app to set up and manage your device.



Scan to download the SURFboard Central mobile app

With the mobile app, you get:

- Step-by-step installation instructions
- Automatic device registration for warranty
- Product documentation, Tech Support, and FAQs
- Software License and Warranty information



SURFboard®  
Central

Using Web Interface: You can access advance settings for your device by navigating to <https://w6u.local> in a Web browser.